

# User Manual

6 Bay Drop-In Charger for the  
SONIM® XP8™



[www.advancetec.com](http://www.advancetec.com)



\*mobile phone not included

---

**6 Bay Drop-In Charger consists of:**

1. Part # AT6053A ..... Charger



# Index

## Page

## Details

---

3 .....	Instructions/SetUp
5 .....	Specifications
5 .....	LED's Summary
6 .....	Warranty

Congratulations on your purchase of the AdvanceTec 6 Bay Drop-In Battery Charger, the most advanced Drop-In charger available



### ■ **WARNING**

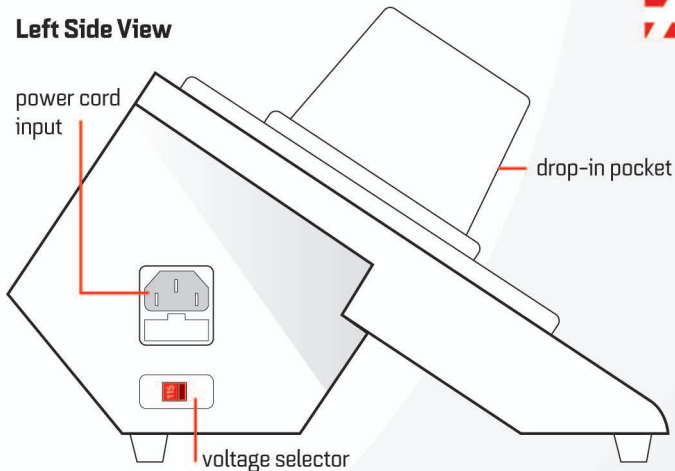
**This unit is designed for use with mobile phones only. The use of this unit with any other device may result in damage or fire.**



1. Confirm that the power switch on the left side of the charger is set to the correct voltage (110v or 220v) and plug the power cord into the charger and into a wall outlet.
2. When the charger turns on the LED will **Slowly Flash Red**, indicating the charger is on **Standby** waiting for a phone to be placed.
3. Place mobile phone into the charger pocket, the LED will change to **Rapidly Flashing Green**, indicating charging.
4. Once the charging cycle has completed the LED will change to **Solid Green**.
5. If the LED changes to **Solid Red** when the mobile phone is placed, this is an indication of battery charger malfunction.



## Left Side View



## Drop-In Pocket



### WARNING:

1. Do not short circuit the contacts on the charger adapters
2. Do not charge batteries other than the mobile phone for which the adapter has been designed.
3. The unit is a microprocessor controlled electronic device, which may be damaged if dropped or handled roughly.



## SPECIFICATIONS

---

A/C input:	115VAC +5% to -10%, 3A 230VAC +5% to -10%, 1.5A
Frequency:	50-60Hz
Current Out:	2.0 Amp
Output Voltage:	5.2 V $\pm$ 0.4%
Operating battery temp:	0° C to +45° C
Storage Temp:	-40° C to +85° C
Weight:	15lbs
Size:	10.40"x18.11"x6.57"

## LED SUMMARY

---

**Red Slow Flashing** - Standby

**Fast Flashing Green** - Battery Charging

**Solid Green** - Battery Charge Complete

**Solid Red** - Error

## ■ WARRANTY

---

Your product has a one-year limited warranty from date of purchase against defects in material and workmanship. Under this warranty, you may return a faulty product to AdvanceTec and AdvanceTec will either repair or replace the faulty product free of charge. To return a faulty product for repair or replacement, please call AdvanceTec in the USA at 305-623-3939 to obtain a Return Material Authorization number. If outside of the USA, contact your authorized AdvanceTec dealer for a Return Material Authorization. This warranty covers only defects in material or workmanship in normal use and not damage from negligent handling, misuse, charging of batteries other than those the charger was specified and designed to charge, or lack of proper care.

**Important: Opening of the product will void this warranty.** This warranty gives you specific legal rights. You may also have other rights, which vary from state to state.

OTHER THAN AS EXPRESSLY SET FORTH ABOVE, AdvanceTec Industries, Inc DOES NOT MAKE ANY EXPRESS OR IMPLIED WARRANTIES OR REPRESENTATIONS REGARDING THEIR PRODUCTS. ANY IMPLIED WARRANTIES OF MERCHANTABILITY, NONINFRINGEMENT, AND FITNESS FOR A PARTICULAR PURPOSE ARE EXPRESSLY EXCLUDED AND DISCLAIMED.

**AdvanceTec** will not be liable or responsible for any loss, damage, or injury caused by any failure of its products to operate properly or promptly.



1150 NW 163rd Drive, Miami, FL 33169  
T: 305-623-3939 F: 305-623-3996

---

[www.advancetec.com](http://www.advancetec.com)

